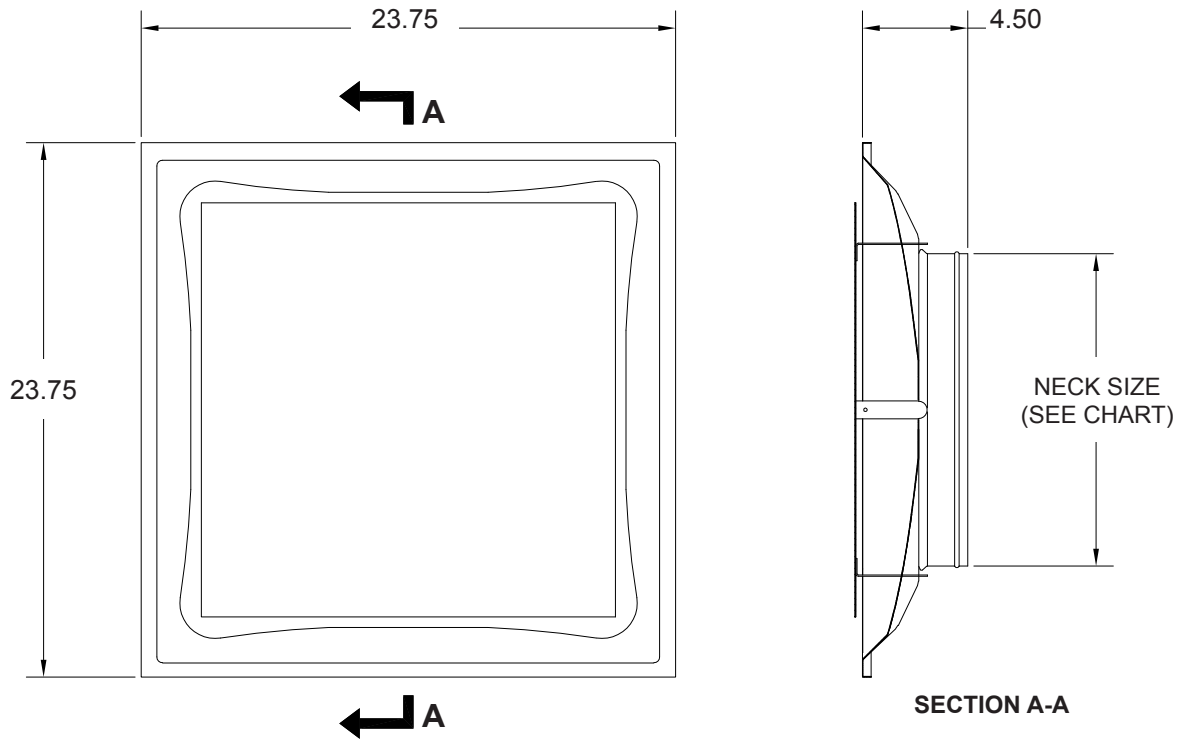




LPD T-BAR PLAQUE DIFFUSER WITH COLLAR



- **Steel Construction**
- **Uninsulated Back Plenum**
- **Fixed 2" High Collar for Easy Connection**
- **360 Degree Air Diffusion Pattern**
- **White Finish**

LPD (Plaque Diffuser)										
Neck Size (Dia)		Neck Velocity (FPM)								
		400	500	600	700	800	900	1000	1200	1400
6"	cfm	80	100	120	140	160	180	200	240	280
An 0.20	Ps	0.006	0.010	0.014	0.018	0.024	0.030	0.037	0.054	0.072
Ak 0.28	Throw	1.0	2.0	2.0	2.5	3.0	3.5	4.0	4.5	5.5
8"	cfm	140	175	210	245	280	315	350	420	490
An 0.35	Ps	0.010	0.015	0.022	0.029	0.038	0.049	0.060	0.086	0.117
Ak 0.36	Throw	2.5	3.5	4.0	4.5	5.0	5.5	6.0	7.0	8.0
10"	cfm	215	270	325	380	430	485	540	650	755
An 0.54	Ps	0.014	0.020	0.028	0.041	0.054	0.068	0.084	0.122	0.167
Ak 0.62	Throw	4.0	5.5	6.5	8.0	9.0	10.0	11.5	14.5	17.0
12"	cfm	310	390	470	545	625	700	780	935	1095
An 0.78	Ps	0.018	0.024	0.032	0.052	0.063	0.072	0.094	0.132	0.180
Ak 0.70	Throw	5.5	7.0	8.5	10.0	11.5	13.0	14.5	17.5	20.5
14"	cfm	430	535	640	750	855	965	1070	1285	1500
An 1.07	Ps	0.022	0.030	0.040	0.064	0.080	0.115	0.140	0.205	0.277
Ak 0.75	Throw	7.0	8.5	10.5	12.0	13.5	15.5	17.0	20.5	24.0