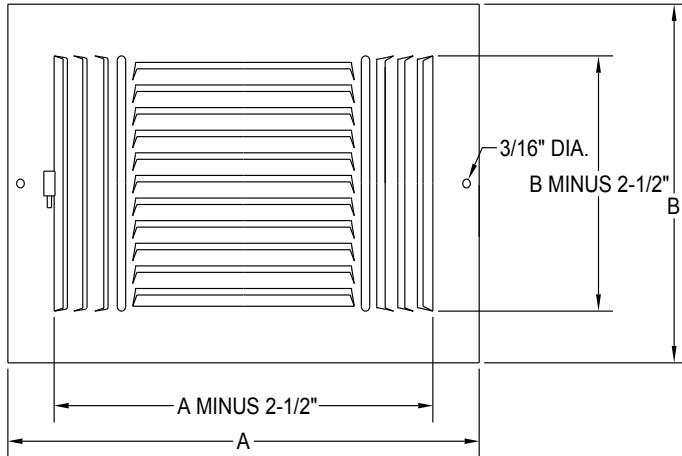
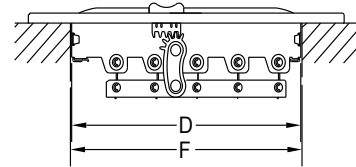
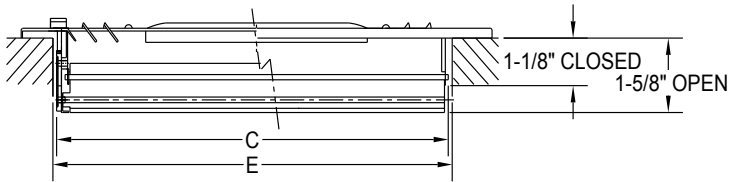




MFSCR_W3 SERIES 3-WAY SIDEWALL CEILING REGISTER SPECIFICATION CHART



- Heavy Gauge Steel Construction
- Integral Multi-Shutter Damper
- 3 - Way Deflection
- Finish: White

3-Way Sidewall/Ceiling Dimensional Chart

Size (ExF)	Dimensions (See Detail Sketches)				Size (ExF)	Dimensions (See Detail Sketches)			
	A	B	C	D		A	B	C	D
6x6	7-3/4	7-3/4	5-7/8	5-5/8	12x4	13-3/4	5-3/4	11-7/8	3-5/8
8x4	9-3/4	5-3/4	7-7/8	3-5/8	12x6	13-3/4	7-3/4	11-7/8	5-5/8
8x6	9-3/4	7-3/4	7-7/8	5-5/8	12x8	13-3/4	9-3/4	11-7/8	7-5/8
8x8	9-3/4	9-3/4	7-7/8	7-5/8	12x12	13-3/4	13-3/4	11-7/8	11-5/8
10x4	11-3/4	5-3/4	9-7/8	3-5/8	14x4	15-3/4	5-3/4	13-7/8	3-5/8
10x6	11-3/4	7-3/4	9-7/8	5-5/8	14x6	15-3/4	7-3/4	13-7/8	5-5/8
10x8	11-3/4	9-3/4	9-7/8	7-5/8	14x8	15-3/4	9-3/4	13-7/8	7-5/8
10x10	11-3/4	11-3/4	9-7/8	9-5/8	20x8	21-3/4	9-3/4	19-7/8	7-5/8

3-Way Sidewall/Ceiling Register

Face Velocity		300	400	500	600	700	800	900	1000
Pressure Loss (In H₂O)		0.008	0.012	0.016	0.024	0.032	0.044	0.052	0.064
6x6 Ak .11	Total cfm	30	40	50	65	75	85	95	105
	cfm L/S	10/10	13/14	16/17	21/22	24/26	27/29	30/32	34/36
	Throw L/S	3/3	3.5/3.5	4/4	5.5/5.5	6/6	7/7	8/8	9/9
8x4 Ak .10	Total cfm	25	35	45	55	65	70	80	90
	cfm L/S	13/6	17/9	24/11	29/13	34/16	37/17	42/19	48/22
	Throw L/S	3/2.5	4/3	5/3.5	6/4	7/5	7.5/5.5	8.5/6	10/6.5
8x6 Ak .15	Total cfm	40	55	70	85	100	115	125	140
	cfm L/S	22/10	29/14	37/17	51/24	51/24	59/27	66/30	73/34
	Throw L/S	4/3	6/4	7/5	10/7	10/7	11/8	12/9	14/10
8x8 Ak .21	Total cfm	60	80	100	120	140	160	180	200
	cfm L/S	32/15	42/19	53/24	63/29	74/34	84/39	95/44	105/48
	Throw L/S	5/4	7/5	9/7	10/8	12/9	14/10	15/11	17/12
10x4 Ak .12	Total cfm	35	45	60	70	80	90	105	115
	cfm L/S	21/7	29/8	33/11	45/13	51/14	58/16	67/19	74/21
	Throw L/S	4/2	5/2.5	6/3.5	7.5/4	8.5/4.5	9.5/5	11/6	12/6.5
10x6 Ak .18	Total cfm	55	75	95	110	130	150	165	185
	cfm L/S	35/10	48/14	61/17	70/20	83/23	96/27	106/30	118/33
	Throw L/S	4.5/2.5	6.5/3.5	8/4	9/5	11/5.5	12.5/6.5	14/7.5	15.5/8.5
10x8 Ak .29	Total cfm	80	105	130	155	180	210	235	260
	cfm L/S	44/17	58/23	73/29	87/34	102/40	116/46	131/51	146/57
	Throw L/S	7/4	9/6	11/7	13/8	15/9	17/10	19/11	21/12
10x10 Ak .32	Total cfm	95	125	155	185	215	250	280	310
	cfm L/S	60/17	80/22	99/28	119/34	139/39	159/45	179/50	199/56
	Throw L/S	7/5	10/6	11/7	13/8	16/9	18/11	20/12	22/13
12x4 Ak .14	Total cfm	40	55	70	85	100	110	125	140
	cfm L/S	21/10	29/13	36/17	44/20	51/23	56/26	65/29	73/34
	Throw L/S	4.5/3.5	6/4	8/5.5	9/6	11/7.5	12.5/8	14/8.5	15.5/10
12x6 Ak .22	Total cfm	70	90	115	135	160	180	205	225
	cfm L/S	36/17	47/22	60/28	70/32	83/38	94/43	107/49	117/54
	Throw L/S	4.5/3.5	6/4	8/5.5	9/6	11/7.5	12.5/8	14/8.5	15.5/10
12x8 Ak .33	Total cfm	95	130	160	190	225	255	290	320
	cfm L/S	50/23	67/31	83/38	100/46	116/54	133/61	150/69	166/77
	Throw L/S	7/5	9/6	11/7	13/9	14/10	16/11	18/12	19/13
12x12 Ak .48	Total cfm	140	190	235	280	330	375	425	470
	cfm L/S	73/34	98/45	122/56	147/68	171/79	196/90	220/102	245/113
	Throw L/S	8/5	10/7	13/8	15/10	17/11	20/13	22/15	25/16
14x4 Ak .17	Total cfm	50	65	80	100	115	130	150	165
	cfm L/S	26/13	34/16	42/20	52/25	60/29	72/33	79/38	87/41
	Throw L/S	5.5/3.5	7.5/4.5	10/5.5	12/6.5	14/8	15.5/9	18/10	20/11
14x6 Ak .25	Total cfm	85	115	145	175	205	230	260	290
	cfm L/S	51/17	69/23	87/29	105/35	123/41	138/46	156/52	174/58
	Throw L/S	5.5/3.5	7.5/4.5	10/5.5	12/6.5	14/8	15.5/9	18/10	20/11
14x8 Ak .33	Total cfm	115	155	195	235	275	310	350	390
	cfm L/S	69/23	93/31	117/39	141/47	165/55	186/62	210/70	234/78
	Throw L/S	6.5/4	9/5	11/6	13.5/7.5	16/9	18/10	20/11.5	22/12.5
20x8 Ak .58	Total cfm	175	235	295	350	410	480	525	585
	cfm L/S	129/23	173/31	217/39	256/47	300/55	356/62	385/70	429/78
	Throw L/S	5/4	12/5	14/6	18/7.5	21/9	24/10	27/11.5	30/12.5

Terminal velocity of 75 fpm & Throw (ft)

