



# CORR/GUARD ADDENDUM 3CGSWHVK & 3CGVSWHVK INSTALLATION INSTRUCTIONS

**IMPORTANT:** DO NOT INSTALL WITHOUT FIRST READING THESE INSTRUCTIONS VERY CAREFULLY.

These instructions pertain to the installation of the 3CGSWHVK & 3CGVSWHVK vent kits.

The Corr/Guard 3CGSWHVK & 3CGVSWHVK vent kits are designed for sidewall venting of instantaneous tankless water heaters and wall hung boilers. Each kit contains the parts necessary to vent through any combustible wall. The vent kit is compatible with standard Corr/Guard products.

Be sure to read these instructions completely, and those of the appliance itself, before proceeding with the installation of this kit. Additional information and requirements regarding the use and installation of Corr/Guard products can be found in the installation instructions (L2153 and L2154). Installation is to be in accordance with local and national building codes.

The UL Listing for this product is void if components other than those supplied as Listed Components by Metal-Fab, Inc. are used. All warranties, stated or implied, are void if this product and the appliance to which it is connected are not installed in accordance with their respective instructions and jurisdictional code requirements.

Proper joint assembly is essential for a safe installation. Failure to follow these instructions and sound installation practices can lead to risk of damage, fire and carbon monoxide poisoning.

## KIT COMPONENTS:

The following items are included in the box for this kit:

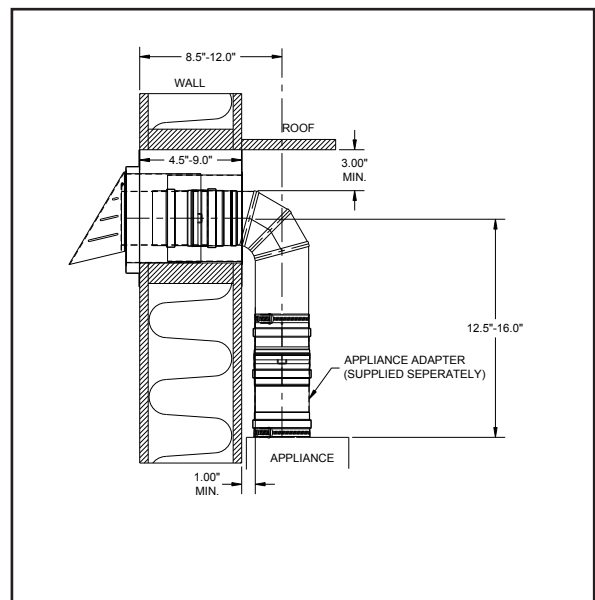
- Wall thimble termination.
- 2 each male adjustable collars.
- Telescoping 90-degree elbow.
- Installation instructions.

## GENERAL REQUIREMENTS:

**WARNING:** Failure to conform to any of these requirements. May violate local, state, or national codes and create conditions that may cause catastrophic property damage or personal injury.

- Proper operation of the vent system and appliance depends on the use and correct assembly of all parts specified by Metal-Fab, Inc. for a particular installation.
- If required by the appliance manufacturer, a drain fitting must be located as close as possible to the appliance flue outlet.
- More than one appliance may not be connected to the same vent kit termination.
- Vent system must avoid any contact with plumbing or electrical systems.
- Proper clearances to combustibles must be maintained over the entire length of the system (**FIG. 1**). Maximum appliance outlet temperature must not exceed 480 degrees Fahrenheit and a rating for positive pressure of 10" W.C..

- Refer to the appliances instructions to determine limitations with respect to the installation and use such as maximum horizontal length from the appliance, maximum height, joining of two or more parts to constitute the intended assembly, maximum number of joints or sections of pipe for use in the assembly, and required installation clearances.
- Do not place any type of insulation in the required clearance spaces surrounding the vent system.
- Never install Corr/Guard on an appliance that is not listed for use with a Special Gas Vent or Type BH Vent.
- Additional Corr/Guard vent lengths can be installed for extended runs. The overall equivalent length of the system shall not exceed the specifications of the appliance manufacturer's instructions.
- Horizontal vent runs shall have a slope of no less than 1/4 inch (6.4mm) every 12 inches (305mm) to prevent collection of condensate.
- The termination should be away from trees, shrubs, or decorative items as flue gases could cause damage.
- The venting system must be free to expand and contract.
- Check for unrestricted vent movement through walls, ceilings, and roof penetrations.
- Manufacturers have different joint systems and adhesives. Do not mix pipe, fittings, or joining methods from different manufacturers.



**FIG. 1**

## GENERAL TERMINATION GUIDELINES:

**NOTICE:** The following is to be used as a guideline only. Check with the code enforcement office in your area for specific termination requirements.

A mechanical draft vent system, excluding direct-vent appliances, shall terminate at least 4 feet (1219 mm) below, 4 feet (1219 mm) horizontally from, or 12 inches (305 mm) above any door, window, or gravity air inlet into any building. The bottom of the vent terminal shall be located at least 12 inches (305 mm) above grade. In geographical areas where snow accumulates, terminate the system at least 12 inches (305 mm) above the snow line. The termination must be kept clear of snow and ice at all times.

**NOTE: The State of Massachusetts requires additional restrictions for vent terminations located less than 7 feet above grade. Consult your local code.**

The termination of the venting system shall not be located in traffic areas, such as walkways, unless the venting system is at least 7 feet (2.13m) above the ground.

## INSTALLATION INSTRUCTIONS:

- Examine all components for possible shipping damage prior to installation.
- Do not penetrate or puncture any part of the system with fasteners.
- Determine the location and cut a 7.25" x 7.25" (210mm x 210mm) opening for the wall thimble (FIG. 2).
  - Position thimble hood into the opening so that the angled hood is located on the outside of the structure. The thimble hood is not centered in the opening (FIG. 3). **Clearance to combustibles at top of thimble is 1.75" (44 mm), bottom of thimble is 0" (0 mm), and centered from side to side.** The clip attached to the top of the thimble will maintain the necessary clearance to combustibles.
- Apply a bead of silicone between the structure and mounting plate before nailing or screwing thimble hood to the outside surface of the building.
- From the inside, slide the inner thimble sleeve into the thimble hood sleeve until the surface is flush to the wall. Fasten with screws or nails.
- Slide the adjustable collar over the thimble hood vent sleeve. Insert female end of 90° elbow onto adjustable collar until it locks. Slide adjustable collar onto male end of 90° elbow. Insert female end of appliance adapter onto adjustable collar until it locks. Attach appliance adapter to appliance collar.
- Adjust collars until the desired pitch is achieved.
- Tighten clamps at the adjustable collar and appliance adapter until snug.
- When installing the adjustable collars, it is important to make sure that each end is inserted past the silicone gasket. To ensure the collars are fully engaged, at least two inches of sleeve must be inserted.
- If you are unable to insert the sleeves at least two inches into the adjustable collars, additional vent lengths must be installed.
- Prior to initial start up, check the entire system to ensure all joints are secured and sealed correctly. The seams and joints must be checked for gas tightness when using the venting system with Category III or IV appliances and for free movement of the outlet flap. Metal-Fab recommends that a qualified inspector check the entire system at least once annually following the initial installation.
- The installation must conform to the requirements of the appliance manufacturer's instructions, the National Fuel Gas Code, and local codes and regulations.

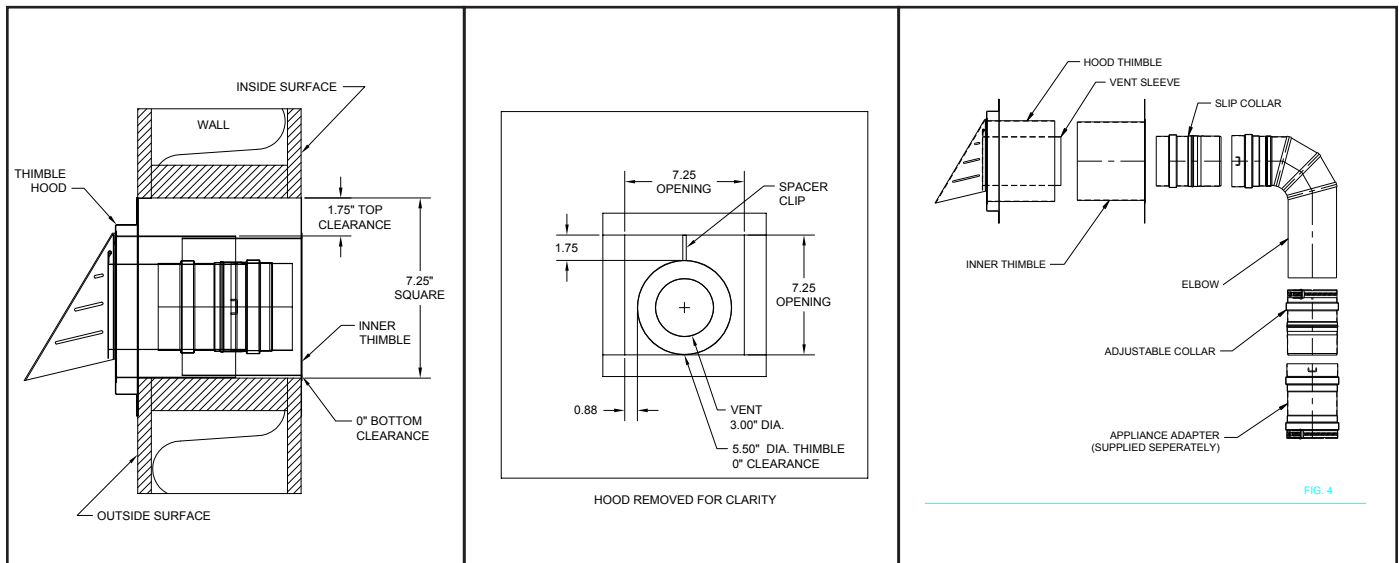


FIG. 2

FIG. 3

FIG. 4

