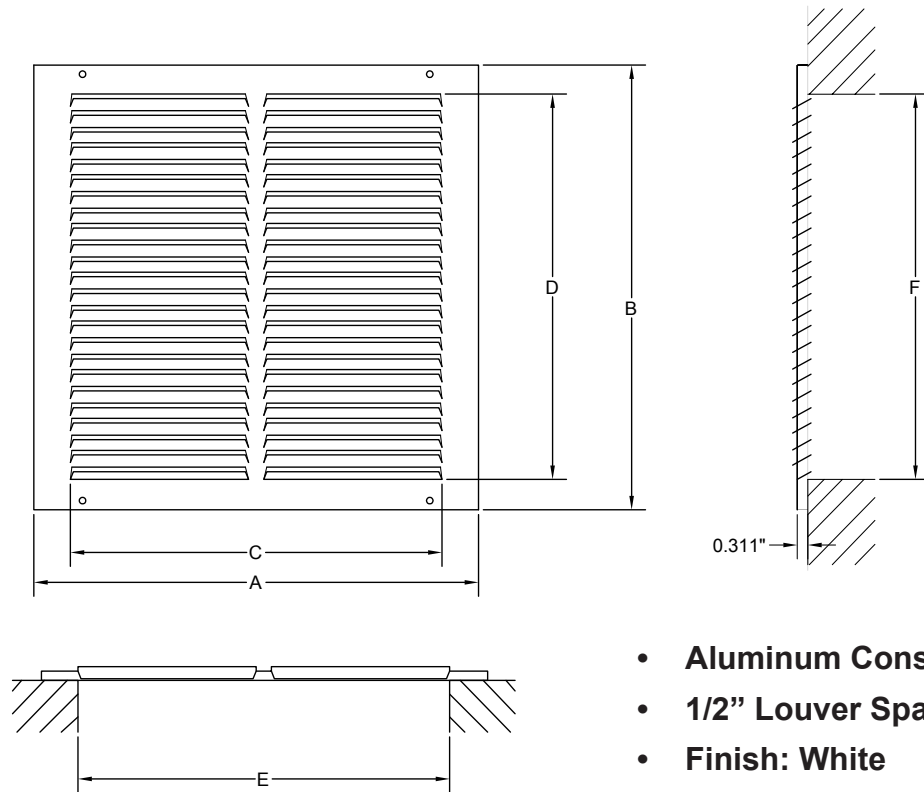




# ALUMINUM RETURN AIR GRILLE SPECIFICATION CHART



- Aluminum Construction
- 1/2" Louver Spacing
- Finish: White

Aluminum Return Air Grille Dimensional Chart

Size (ExF)	Dimensions (See Detail Sketches)				Size (ExF)	Dimensions (See Detail Sketches)			
	A	B	C	D		A	B	C	D
8x8	9.75	9.75	7.50	7.91	14x8	15.75	9.75	13.50	7.91
10x10	11.75	11.75	9.50	9.91	14x10	15.75	11.75	13.50	9.91
12x12	13.75	13.75	11.50	11.91	16x8	17.75	9.75	15.50	7.91
14x6	15.75	7.75	13.50	5.91					

Aluminum Return Air Grille

Face Velocity		300	400	500	600	700
<b>8x8</b> Ak=0.34	cfm	90	120	150	180	210
	Ps	0.020	0.032	0.052	0.072	0.108
<b>10x10</b> Ak=0.51	cfm	144	192	240	288	336
	Ps	0.020	0.032	0.052	0.072	0.104
<b>12x12</b> Ak=0.69	cfm	201	268	335	402	469
	Ps	0.020	0.032	0.052	0.072	0.100
<b>14x6</b> Ak=0.42	cfm	117	156	195	234	273
	Ps	0.020	0.032	0.052	0.072	0.104
<b>14x8</b> Ak=0.54	cfm	153	204	255	306	357
	Ps	0.020	0.032	0.052	0.072	0.100
<b>14x10</b> Ak=0.67	cfm	198	264	330	396	462
	Ps	0.020	0.032	0.052	0.072	0.100
<b>16x8</b> Ak=0.62	cfm	186	248	310	372	434
	Ps	0.020	0.032	0.052	0.076	0.104

Ps (in. H<sub>2</sub>O)